


**Submittal Data: GWH24TB-D3DNA1A** 24,000 BTU/H Wall Mounted Heat- Pump System

Job Name Location Date

Purchaser Engineer

Submitted To For  Reference  Approval  Construction

Unit Designation Schedule No.

- GENERAL FEATURES**
- World Class Performance - Ultra High Efficiency
  - Energy Saving Function
  - 7 Fan Speeds / 4 Way Airflow Operation
  - Photocatalytic Filter
  - Wireless Remote with LCD Display
  - Gold Fin Condenser Coil
  - 5 year Limited Parts Warranty
- 



**System Ratings**

<b>Cooling</b>	
Rated Capacity	24,000 BTU/H
Capacity Range	6,826-29,352 BTU/H
Power Input (Max)	2,900 W
SEER	21
EER	13.0

**Indoor Unit Data**

<b>Fan Motor</b>	Output Power	70 W
	FLA	0.3 A
<b>Airflow</b>		
	Cooling Wet (Lo/Hi)	353/706 CFM
	Heating Dry (Lo/Hi)	NA/740 CFM
<b>Sound Pressure Level</b>		
	Cooling (Lo/Hi)	38/52 db(A)
	Heating (Lo/Hi)	38/52 db(A)
<b>Dimensions &amp; Weights</b>		
	Unit Dimensions (LxHxD)	46.4 x 12.8 x 10.4-in
	Weight (Net/Shipping)	40/53 LBS

<b>Heating at 47° F</b>	
Rated Capacity	25,000 BTU/H
Capacity Range	7,509-37,543 BTU/H
Power Input (Max)	4,000 W
HSPF	9.2
COP	3.3

**Outdoor Unit Data**

<b>Compressor</b>	DC Inverter Driven Rotary	
<b>Refrigerant Type</b>	R410A	
<b>Fan Motor</b>	Output Power	90 W
	FLA	0.4 A
<b>Sound Pressure</b>		
	Cooling	56 db(A)
	Heating	56 db(A)
<b>Dimensions &amp; Weights</b>		
	Unit Dimensions (LxHxD)	38.6 x 31.1 x 16.8 -in
	Weight (Net/Shipping)	153/164 LBS

<b>Heating at 17° F</b>	
Rated Capacity	22,500 BTU/H
Capacity (Max)	25,931 BTU/H
Power Input (Max)	1,950 W
COP	2.5

<b>Operating Range</b>		
Cooling	(Max)	110°F (43 C)
	(Min)	64°F (18 C)
Heating	(Max)	75°F (24 C)
	(Min)	5°F (-15 C)

<b>Power Supply</b>	
Normal Operational Voltage	208/230 V, 1 Phase, 60 Hz
Voltage Range	187 - 253 V
Voltage - Outdoor S1-S2	80 V (MAX)
Indoor - Outdoor S2-S3	230 V (MAX)
MCA	16 A
MOCP/Breaker Size	25 A

<b>Refrigerant Piping Data</b>	
Gas Pipe Size (OD)	5/8-in
Liquid Pipe Size (OD)	1/4-in
Connection Method	Flared
MAX Refrigerant Pipe Length	98 FT
MAX Refrigerant Pipe Height Difference	33 FT

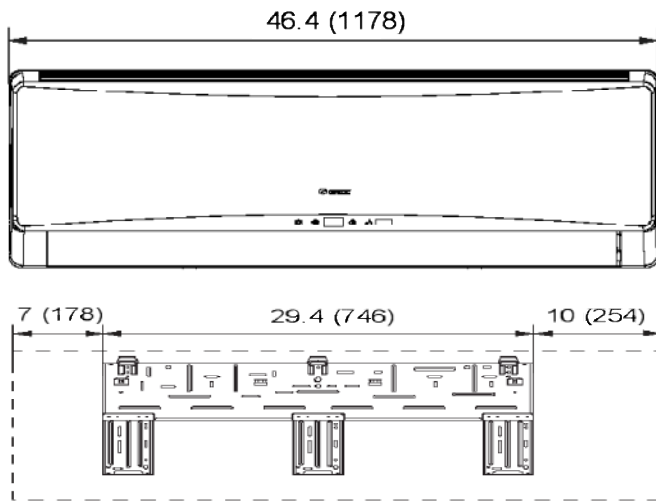


## DIMENSIONAL SPECIFICATIONS

## GWH24TB-D3DNA1A

### INDOOR UNIT DIMENSIONS

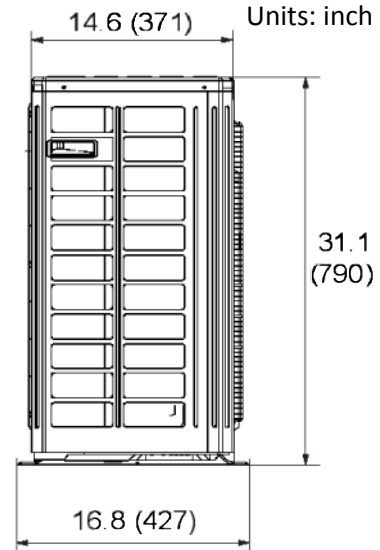
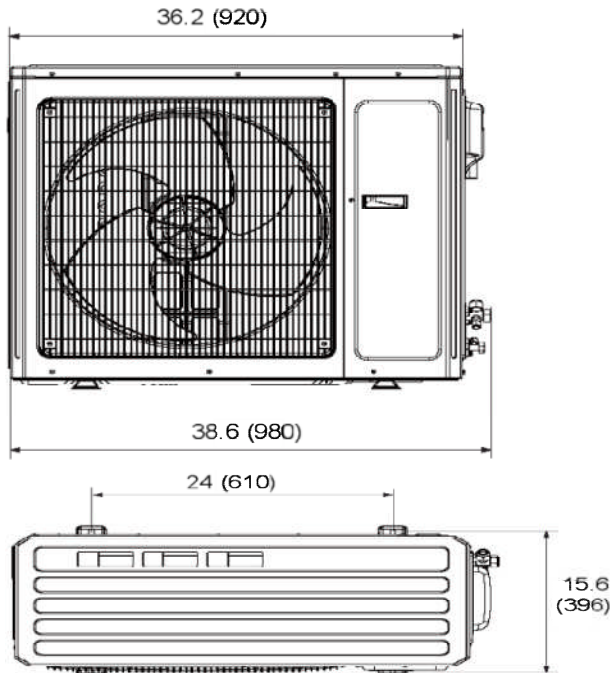
Units: inch (mm)



Liquid Line Valve	1/4-in OD Flared
Gas Line Valve	5/8-in OD Flared
Drain Connector	5/8-in OD

### OUTDOOR UNIT DIMENSIONS

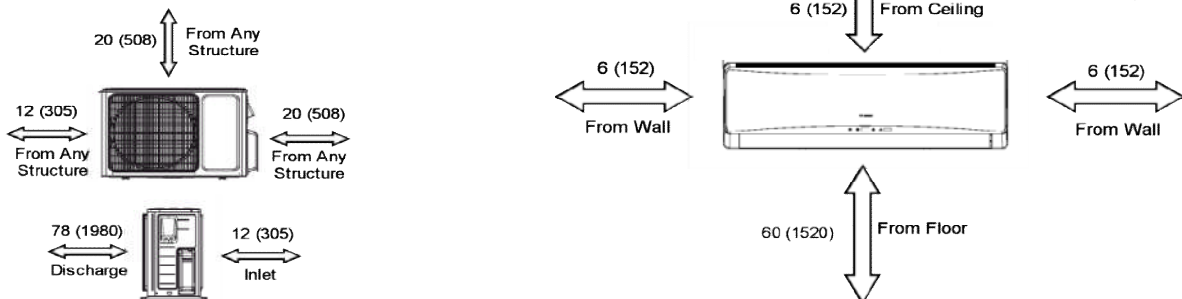
Units: inch (mm)



Liquid Line Valve	1/4-in OD Flared
Gas Line Valve	5/8-in OD Flared

### MINIMUM SPACING REQUIREMENTS

Units: inch (mm)



**Notes:**

1. Recommended 14/4 AWG Stranded Bare Copper Conductors THHN 600V Wire
2. Power wiring cable size must comply with applicable national and local codes.
3. Test conditions are based on AHRI 210/240.



Specifications are subject to change without notice. Manufacturer reserves the right to discontinue or modify specifications or designs without notice or without incurring obligations. All rights reserved.