

**AIR CONDITIONER
EFFICIENT 13 SEER
ENVIRONMENTALLY SOUND
R-410A REFRIGERANT
1½ THRU 5 TONS SPLIT SYSTEM
208/230 Volt, 1-phase, 60 Hz**



Use of the AHRI Certified TM Mark indicates a manufacturer's participation in the program. For verification of certification for individual products, go to www.ahridirectory.org.



WCA34**

Model Number	Size (tons)	Nominal BTU/hr	Min. Circuit Ampacity	Max. Fuse or Breaker	Operating Dimensions height x width x depth in. (mm)	Ship / Operating Weight lbs.(kg)
WCA3184GKC	1½	18,000	12.3	20	24-13/16x23-1/8x23-1/8 (630 x 587 x 587)	124 / 108 (56/49)
WCA3244GKC	2	24,000	14.8	25	24-13/16x23-1/8x23-1/8 (630 x 587 x 587)	127 / 111 (58/50)
WCA3304GKA	2½	30,000	16.8	25	28-7/16x23-1/8x23-1/8 (722 x 587 x 587)	130 / 114 (59/52)
WCA3364GKC	3	36,000	19.0	30	35-3/16x23-1/8x23-1/8 (894 x 587 x 587)	147 / 133 (67/61)
WCA3424GKA	3½	42,000	23.5	40	31-13/16x31-3/16x31-3/16 (808 x 792 x 792)	186 / 172 (85/78)
WCA3484GKC	4	48,000	19.9	40	35-3/16x31-3/16x31-3/16 (894 x 792 x 792)	197 / 183 (90/83)
WCA3604GKC	5	60,000	29.0	50	28-7/16x31-3/16x31-3/16 (722 x 792 x 792)	218 / 203 (99/92)

ALL MODELS

REFRIGERATION CIRCUIT

- Scroll compressors on all models
- Copper tube / aluminum fin coil

EASY TO INSTALL AND SERVICE

- Easy Access service valves on all models
- External high and low refrigerant service ports
- Only two screws to access control panel
- Factory charged with R-410A refrigerant

BUILT TO LAST

- Pre-painted cabinet finish over galvanized steel
- Coated inlet grille with 3/8" (10mm) grille spacing for extra protection

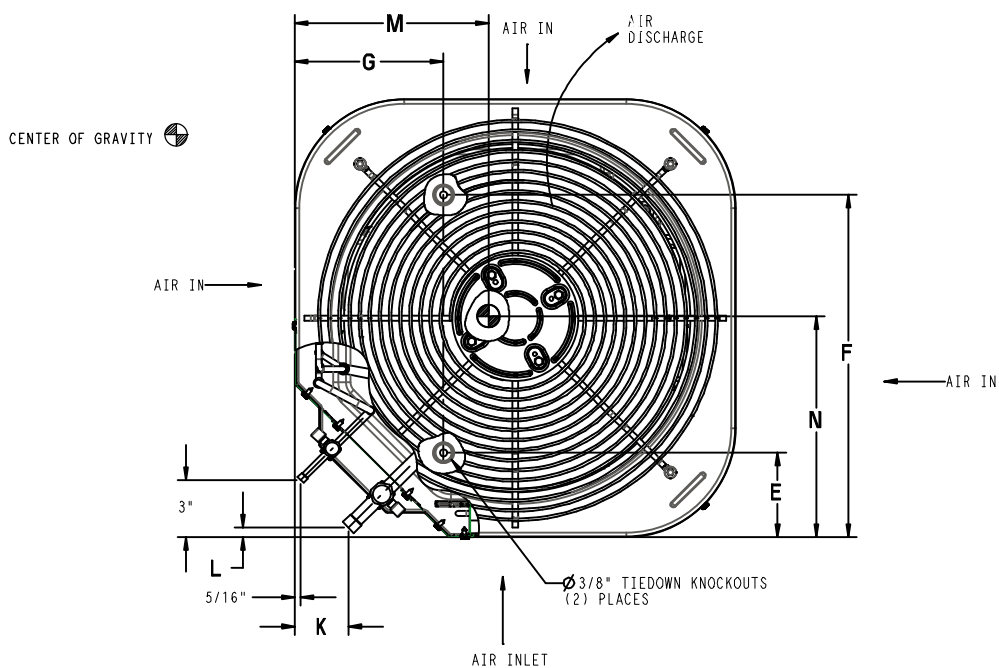
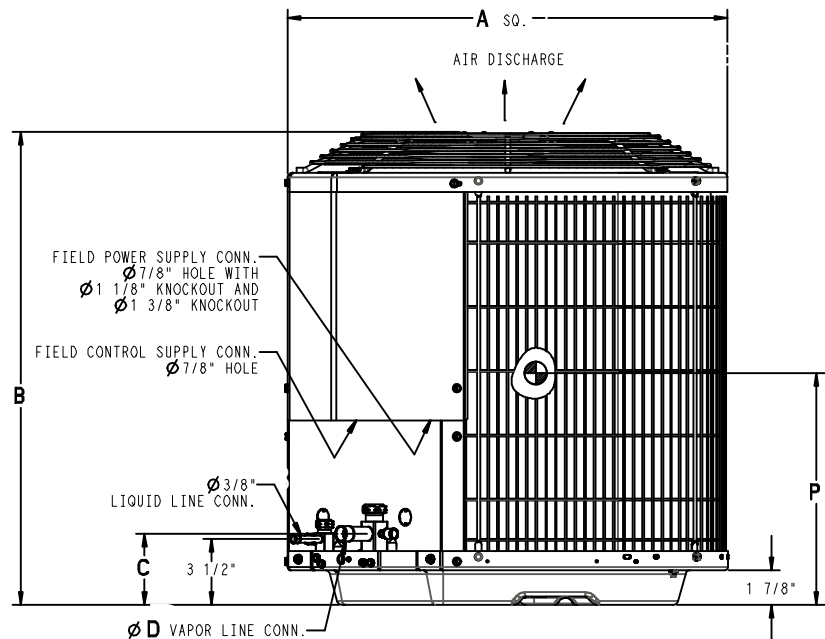
LIMITED WARRANTY

- 1 year unit replacement limited warranty
- 5 year compressor (with an additional 5 years compressor if properly registered) limited warranty to the original purchaser only for owner-occupied dwellings – see warranty certificate for details.
- 5 year parts (with an additional 5 years parts if properly registered) limited warranty to the original purchaser only for owner-occupied dwellings – see warranty certificate for details.

Product Specifications

OUTDOOR UNIT MODEL NUMBER IDENTIFICATION GUIDE (single phase)											
Digit Position:	1,2	3	4	5,6	7	8	9	10	11		
Example Part Number:	WC	A	3	24	4	G	K	C	1		
WC = Condensing Unit		TYPE		SEER		REFRIGERANT		FEATURE		VOLTAGE	
A = Air Conditioner											
3 = 13 SEER		NOMINAL CAPACITY		REFRIGERANT		FEATURE		VOLTAGE		SALES CODE	
18 = 18,000 BTUH = 1½ tons											
24 = 24,000 BTUH = 2 tons											
30 = 30,000 BTUH = 2½ tons											
36 = 36,000 BTUH = 3 tons											
42 = 42,000 BTUH = 3½ tons											
48 = 48,000 BTUH = 4 tons		NOMINAL CAPACITY		REFRIGERANT		FEATURE		VOLTAGE		SALES CODE	
60 = 60,000 BTUH = 5 tons											
4 = R-410A		REFRIGERANT		FEATURE		VOLTAGE		SALES CODE		EXTRA DIGIT	
A = Standard Grille											
G = Coil Guard Grille		REFRIGERANT		FEATURE		VOLTAGE		SALES CODE		EXTRA DIGIT	
K = 208/230-1-60											
Sales Code		REFRIGERANT		FEATURE		VOLTAGE		SALES CODE		EXTRA DIGIT	
Extra Digit											

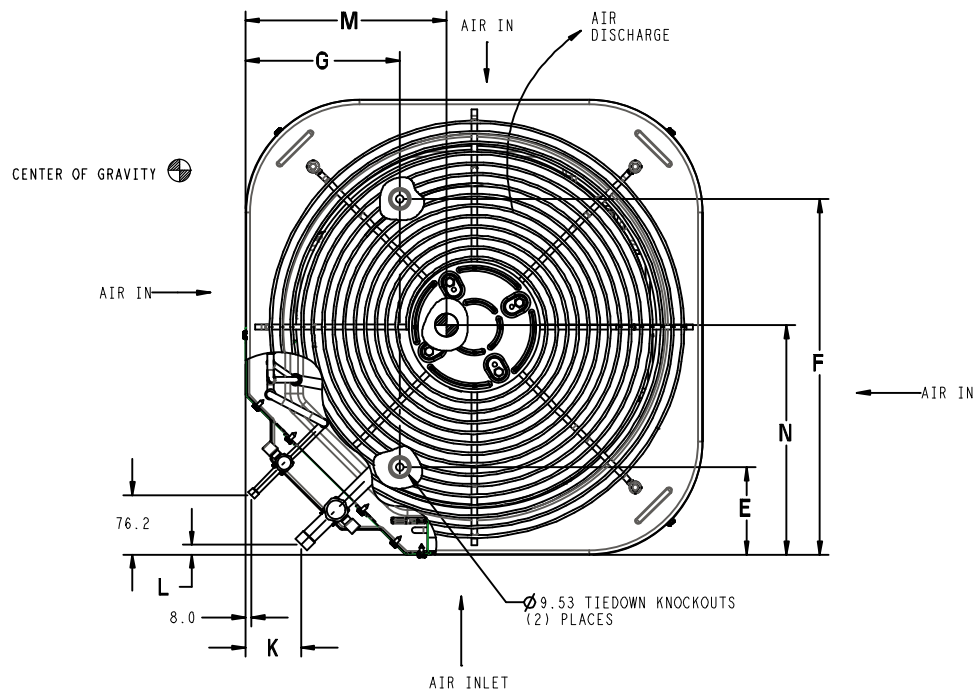
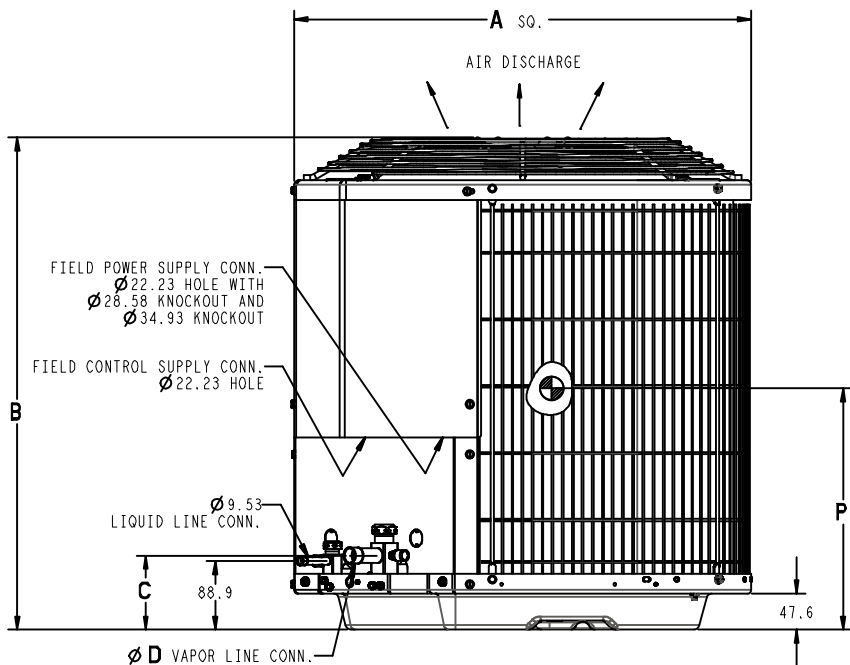
ACCESSORIES PART NUMBER IDENTIFICATION GUIDE									
Digit Position:	1	2	3	4	5	6, 7	8, 9	10, 11	
Example Part Number:	N	A	S	A	0	01	01	CH	
N = Non-Branded		BRANDING		PRODUCT GROUP		KIT USAGE		MAJOR SERIES	
A = Accessory									
S = Split System (AC & HP)		PRODUCT GROUP		KIT USAGE		MAJOR SERIES		REFRIGERANT	
A = Original									
B = 2nd Generation		PRODUCT GROUP		KIT USAGE		MAJOR SERIES		REFRIGERANT	
0 = Generic or Not Applicable									
2 = R-22		PRODUCT GROUP		KIT USAGE		MAJOR SERIES		REFRIGERANT	
4 = R-410A									
Product Identifier Number		PRODUCT GROUP		KIT USAGE		MAJOR SERIES		REFRIGERANT	
Package Quantity									
Type of Kit (Example: CH = Crankcase Heater)		PRODUCT GROUP		KIT USAGE		MAJOR SERIES		REFRIGERANT	
Type of Kit (Example: CH = Crankcase Heater)									



NOTES:

1. Allow 30" clearance to service side of unit, 48" above unit, 6' on side, 12' on remaining side and 24' between units for proper airflow.
2. Minimum outdoor operating ambient in cooling mode is 55° F, Max. 125° F.
3. Series designation is the 10th position of the unit model number.
4. Center of Gravity
5. All dimensions are in inches unless noted.

Model	All Dimensions Inches (English)												Minimum Mounting Pad Size	Crated Dimensions height x width x depth
	A	B	C	D	E	F	G	K	L	M	N	P		
WCA3184GKC	23-1/8	24-13/16	3-3/4	3/4	4-7/16	18-1/16	7-13/16	2-13/16	1/2	12	11-3/4	11-7/8	23-1/2 x 23-1/2	27-3/16 X 24-1/8 x 24-1/8
WCA3244GKC	23-1/8	24-13/16	3-3/4	3/4	4-7/16	18-1/16	7-13/16	2-13/16	1/2	12	11-3/4	11-7/8	23-1/2 x 23-1/2	27-3/16 X 24-1/8 x 24-1/8
WCA3304GKA	23-1/8	28-7/16	3-3/4	3/4	4-7/16	18-1/16	7-13/16	2-13/16	1/2	12	11-3/4	12-1/2	23-1/2 x 23-1/2	30-5/8 X 24-1/8 x 24-1/8
WCA3364GKC	23-1/8	35-3/16	3-7/8	7/8	6-9/16	18-1/16	7-13/16	2-13/16	1/2	12	11-3/4	13-3/4	23-1/2 x 23-1/2	37-7/16 X 24-1/8 x 24-1/8
WCA3424GKA	31-3/16	31-13/16	3-7/8	7/8	6-9/16	24-11/16	9-1/8	2-15/16	5/8	16	15-1/2	13-3/4	31-1/2 x 31-1/2	34 x 32-3/16 x 32-3/16
WCA3484GKC	31-3/16	35-3/16	3-7/8	7/8	6-9/16	24-11/16	9-1/8	2-15/16	5/8	16	15-1/2	15-1/2	31-1/2 x 31-1/2	37-7/16 x 32-3/16 x 32-3/16
WCA3604GKC	31-3/16	28-7/16	3-7/8	7/8	6-9/16	24-11/16	9-1/8	2-15/16	5/8	16	15-1/2	12-3/4	31-1/2 x 31-1/2	30-5/8 x 32-3/16 x 32-3/16



NOTES:

1. Allow 762 clearance to service side of unit, 1219 above unit, 152 on side, 305 on remaining side and 610 between units for proper airflow.
2. Minimum outdoor operating ambient in cooling mode is 13° C, Max. 52° C.
3. Series designation is the 10th position of the unit model number.
4. Center of Gravity
5. All dimensions are in "mm" unless noted.

Dimensions mm (SI Metric)

Model	Dimensions mm (SI Metric)												Minimum Mounting Pad Size	Crated Dimensions B(h) x A(w) x R(d)
	A	B	C	D	E	F	G	K	L	M	N	P		
WCA3184GKC	587	630	95	19	113	459	198	71	13	305	298	302	597 x 597	691 x 613 x 613
WCA3244GKC	587	630	95	19	113	459	198	71	13	305	298	302	597 x 597	691 x 613 x 613
WCA3304GKA	587	722	95	19	113	459	198	71	13	305	298	318	597 x 597	778 x 613 x 613
WCA3364GKC	587	894	98	22	167	459	198	71	13	305	298	349	597 x 597	951 x 613 x 613
WCA3424GKA	792	808	98	22	167	627	232	75	16	406	394	349	800 x 800	864 x 818 x 818
WCA3484GKC	792	894	98	22	167	627	232	75	16	406	394	394	800 x 800	951 x 818 x 818
WCA3604GKC	792	722	98	22	167	627	232	75	16	406	394	324	800 x 800	778 x 818 x 818

PHYSICAL DATA							
Model Size	18	24	30	36	42	48	60
Nominal Cooling Capacity (BTU/hr)	18,000	24,000	30,000	36,000	42,000	48,000	60,000
Nominal SEER	13.0	13.0	13.0	13.0	13.0	13.0	13.0
PSC Fan Motor HP	1/12	1/10	1/10	1/4	1/5	1/4	1/4
Fan RPM (single speed)	1100	1100	1100	1100	1100	1100	1100
Fan CFM	1700	2000	2000	2500	3100	3400	3400
Coil Face Area ft ² (m ²)	8.40 (.78)	8.40 (.78)	9.80 (.91)	12.60 (1.17)	17.30 (1.61)	19.29 (1.79)	15.00 (1.39)
Coil Rows – fins per inch	1 – 20	1 – 25	1 – 25	1 – 25	1 – 25	1 – 25	2 – 20
Liquid Line Connection Size in. (mm)	3/8 (10)	3/8 (10)	3/8 (10)	3/8 (10)	3/8 (10)	3/8 (10)	3/8 (10)
Vapor Line Connection Size in. (mm)	3/4 (19)	3/4 (19)	3/4 (19)	7/8 (22)	7/8 (22)	7/8 (22)	7/8 (22)
Recommended Line Set Liquid Tube Diameter in. (mm)	3/8 (10)	3/8 (10)	3/8 (10)	3/8 (10)	3/8 (10)	3/8 (10)	3/8 (10)
Recommended Line Set Vapor Tube Diameter in. (mm)	3/4 (19)*	3/4 (19)	3/4 (19)*	7/8 (22)*	7/8 (22)*	1–1/8 (29)*	1–1/8 (29)*
* Recommended Vapor Tube Line size is for standard installations. These recommendations may not apply to “Long Line” installations. Consult the Long Line Application Guideline document before purchasing/installing line sets.							
Factory Charge R-410A lbs. (kg)	3.15 (1.43)	3.15 (1.43)	3.63 (1.65)	4.67 (2.12)	6.07 (2.75)	7.00 (3.18)	8.80 (3.99)
Required Subcooling ° F (° C)	10 (6)	10 (6)	10 (6)	10 (6)	12 (7)	15 (8)	15 (8)
Weight, shipping lbs. (kg)	124 (56)	127 (58)	130 (59)	147 (67)	186 (85)	197 (90)	218 (99)
Weight, operating lbs. (kg)	108 (49)	111 (50)	114 (52)	133 (61)	172 (78)	183 (83)	203 (92)

ELECTRICAL DATA (208/230–1–60, voltage range 197V – 253V)							
Model Size	18	24	30	36	42	48	60
Minimum Circuit Ampacity – MCA (amps)	12.3	14.8	16.8	19.0	23.5	24.9	29.0
Maximum OverCurrent Protective device – MOCP (amps)	20	25	25	30	40	40	50
Compressor RLA (Rated Load Amps) LRA (Locked Rotor Amps)	9.4 56.6	11.2 60.8	12.8 64.0	14.1 70.0	17.9 112.0	18.8 96.0	22.1 125.0
Fan Motor FLA (Full Load Amps)	.50	.77	.77	1.4	1.1	1.4	1.4

WCA3 SOUND RATINGS

A-Weighted Sound Power Level - WCA3 Without Sound Shield

Model	Standard Rating (dBA)	Typical Octave Band Spectrum (dBA without pure tone adjustment)						
		125	250	500	1000	2000	4000	8000
WCA3184GKC	71	49.5	59	63	66.5	62.5	58.5	54
WCA3244GKC	73	50.5	61	67	68	65	60	55.5
WCA3304GKA	72	52	61.5	65.5	66.5	64.5	59.5	54.5
WCA3364GKC	75	57	61.5	68.5	70	67	62.5	54
WCA3424GKA	75	56	64.5	69.5	71	66	64	59
WCA3484GKC	76	54	63	69.5	71.5	70	66	58.5
WCA3604GKC	79	57.5	67	72	75	72.5	68	61

Note: Tested in accordance with AHRI Standard 270-2008 (not listed in AHRI).

A-Weighted Sound Power Level - WCA3 With Sound Shield

Model	Standard Rating (dBA)	Typical Octave Band Spectrum (dBA without pure tone adjustment)						
		125	250	500	1000	2000	4000	8000
WCA3184GKC	70	53.5	60	62	65.5	62	57.5	52.5
WCA3244GKC	73	53	62	67.5	68	65	60	53.5
WCA3304GKA	71	54	61.5	65.5	66	63.5	58.5	52
WCA3364GKC	74	57	61.5	67.5	70	66.5	62.5	56
WCA3424GKA	74	55.5	64	69	69.5	65.5	63.5	57.5
WCA3484GKC	76	55	63	69.5	71	68.5	65	58
WCA3604GKC	79	57.5	68	72.5	74.5	72.5	68	60.5

Note: Tested in accordance with AHRI Standard 270-2008 (not listed in AHRI).

R-410A COOLING CAPACITY LOSS FOR VARIOUS LINE LENGTHS & TUBE DIAMETERS

Model Size	Liquid Line in. (mm)	Acceptable Vapor Line Sizes in. (mm)	Cooling Capacity Loss (%) at Total Equivalent Line Length, feet (m) Refer to Long Line Application Guideline to calculate equivalent length										
			Standard Application			Long Line Application (Requires Accessories)							
			25' (7.6)	50' (15.2)	80' (24.4)	81' (24.7)	100' (30.5)	125' (38.1)	150' (45.7)	175' (53.3)	200' (61)	225' (68.6)	250' (76.2)
18		1/2 (13)	1	2	3	3	4	6	7	8	9	10	12
		5/8 (16)	0	0	1	1	1	1	2	2	3	3	3
		3/4 (19)	0	0	0	0	0	1	1	1	1	1	1
24		5/8 (16)	0	1	1	1	2	3	3	4	4	5	6
		3/4 (19)	0	0	0	0	0	1	1	1	1	1	2
		7/8 (22)	0	0	0	0	0	0	0	0	0	0	1
30		5/8 (16)	1	2	3	3	3	4	5	6	7	8	9
		3/4 (19)	0	0	1	1	1	1	2	2	2	3	3
		7/8 (22)	0	0	0	0	0	1	1	1	1	1	1
36	3/8 (10)	5/8 (16)	1	2	4	4	5	6	7	9	10	11	13
		3/4 (19)	0	0	1	1	1	2	3	3	4	4	4
		7/8 (22)	0	0	0	0	0	1	1	1	1	2	2
42		3/4 (19)	0	1	2	2	2	3	4	4	5	6	6
		7/8 (22)	0	0	1	1	1	1	2	2	2	3	3
		1-1/8 (29)	0	0	0	0	0	0	0	0	0	0	1
48		3/4 (19)	0	1	2	2	3	4	5	5	6	7	8
		7/8 (22)	0	0	1	1	1	2	2	2	3	3	4
		1-1/8 (29)	0	0	0	0	0	0	0	0	1	1	1
60		3/4 (19)	1	2	4	4	5	6	7	9	10	11	12
		7/8 (22)	0	1	2	2	2	3	4	4	5	5	6
		1-1/8 (29)	0	0	0	0	1	1	1	1	1	1	2

Consult the Long Line Application Guideline document before purchasing/installing line sets.

Applications in shaded area may have height restrictions that limit allowable total equivalent length when outdoor unit is below indoor unit.

EXPANDED COOLING PERFORMANCE RATINGS For Outdoor / Indoor Models

For complete ratings information, use the AHRI website directory search: www.AHRIdirectory.org.
New ratings may be listed online before Specification Sheets are updated.

WCA3184GKC Outdoor Section With W*A*184AA* Indoor Section

EVAPORATOR AIR		CONDENSER ENTERING AIR TEMPERATURES deg F														
		75			85			95			105			115		
CFM	EWB	Capacity MBtuh		Total System KW	Capacity MBtuh		Total System KW	Capacity MBtuh		Total System KW	Capacity MBtuh		Total System KW	Capacity MBtuh		Total System KW
		Total	Sens		Total	Sens		Total	Sens		Total	Sens		Total	Sens	
525	72	20.35	10.09	1.18	19.43	9.75	1.35	18.46	9.40	1.54	17.51	9.07	1.75	16.49	8.72	1.98
	67	18.72	12.43	1.19	17.86	12.08	1.37	16.95	11.72	1.55	16.04	11.37	1.77	15.07	11.00	2.00
	62	17.21	14.74	1.21	16.41	14.38	1.38	15.59	14.00	1.57	14.75	13.61	1.78	13.92	13.92	2.02
	57	16.70	16.70	1.22	16.05	16.05	1.38	15.37	15.37	1.57	14.67	14.67	1.78	13.92	13.92	2.02
600	72	20.73	10.59	1.20	19.69	10.22	1.37	18.69	9.87	1.56	17.72	9.54	1.77	16.67	9.18	2.00
	67	19.03	13.21	1.22	18.14	12.86	1.39	17.20	12.50	1.58	16.27	12.15	1.79	15.27	11.77	2.02
	62	17.59	15.82	1.23	16.78	15.44	1.40	15.95	15.95	1.59	15.23	15.23	1.80	14.44	14.44	2.04
	57	17.38	17.38	1.24	16.69	16.69	1.40	15.97	15.97	1.59	15.23	15.23	1.80	14.44	14.44	2.04
675	72	21.01	11.06	1.22	19.88	10.67	1.39	18.85	10.32	1.58	17.86	9.98	1.80	16.79	9.62	2.03
	67	19.25	13.95	1.24	18.34	13.61	1.41	17.38	13.24	1.60	16.43	12.88	1.81	15.41	12.50	2.05
	62	17.94	17.79	1.26	17.20	17.20	1.43	16.44	16.44	1.61	15.67	15.67	1.82	14.84	14.84	2.06
	57	17.92	17.92	1.26	17.20	17.20	1.43	16.44	16.44	1.61	15.67	15.67	1.82	14.84	14.84	2.06

Total sensible capacities are based on net capacities. Blower heat has been subtracted.

Sensible capacities shown are based on 80° F (27° C) entering air at the indoor coil. For sensible capacities at other than 80° F (27° C), deduct 835 Btuh (245 kW) per 1000 CFM (480 L/S) of indoor coil air for each degree below 80° F (27° C), or add 835 Btuh (245 kW) per 1000 CFM (480 L/S) of indoor coil air per degree above 80° F (27° C).

Detailed cooling and heating capacities are based on indoor and outdoor unit at the same elevation per AHRI standard 210/240 -2008. If additional tubing length is required and/or indoor unit is located above outdoor unit, a slight variation in capacity may occur.

System kw is total of indoor and outdoor unit kilowatts.

**COOLING MULTIPLIERS FOR COMBINATION RATINGS:
WCA3184GKC**

Cooling Indoor Model	Capacity	Power
W*A*184AA*	1.00	1.00
W*A*244AA*	1.00	0.99
W*A*244BA*	1.00	1.00
W*NC184AA*	1.00	1.00
W*NC244AA*	1.00	1.00
W*NC244BA*	1.00	0.99
W*NH244BA*	1.00	0.99
WAH*184A*	1.00	0.91
WAH*184B*	1.04	0.99
WAH*244A*	1.00	0.91
WAH*244B*	1.04	0.99
WAHA18**4A*	1.00	0.91
WAHA24**4A*	1.00	0.89
WAHA30**4A*	1.03	0.98
WAHA36**4A*	1.03	0.98
WAMA18*4A*	1.05	1.04
WAMA24*4A*	1.05	1.04
WAP*184A*	1.03	0.94
WAP*244A*	1.03	0.95
WAX*184A*	1.02	0.93
WAX*244A*	1.02	0.93
WAX*304A*	1.02	0.93

EXPANDED COOLING PERFORMANCE RATINGS For Outdoor / Indoor Models

For complete ratings information, use the AHRI website directory search: www.AHRIdirectory.org.
New ratings may be listed online before Specification Sheets are updated.

WCA3424GKC Outdoor Section With W*A*244AA* Indoor Section

EVAPORATOR AIR		CONDENSER ENTERING AIR TEMPERATURES deg F														
		75			85			95			105			115		
CFM	EWB	Capacity MBtuh		Total System KW	Capacity MBtuh		Total System KW	Capacity MBtuh		Total System KW	Capacity MBtuh		Total System KW	Capacity MBtuh		Total System KW
		Total	Sens		Total	Sens		Total	Sens		Total	Sens		Total	Sens	
700	72	27.06	13.28	1.64	25.82	12.84	1.84	24.64	12.43	2.06	23.44	12.02	2.30	22.11	11.56	2.57
	67	24.87	16.41	1.64	23.82	16.00	1.84	22.70	15.57	2.05	21.55	15.13	2.30	20.29	14.66	2.57
	62	22.98	19.55	1.63	22.00	19.12	1.83	20.97	18.66	2.05	19.91	18.18	2.30	18.87	18.87	2.57
	57	22.41	22.41	1.63	21.61	21.61	1.83	20.75	20.75	2.05	19.85	19.85	2.30	18.87	18.87	2.57
800	72	27.49	13.93	1.68	26.14	13.46	1.88	24.93	13.05	2.10	23.69	12.64	2.34	22.33	12.18	2.60
	67	25.24	17.44	1.68	24.15	17.03	1.87	23.00	16.60	2.09	21.83	16.16	2.33	20.54	15.69	2.60
	62	23.44	20.97	1.67	22.46	20.51	1.87	21.49	21.49	2.09	20.55	20.55	2.33	19.52	19.52	2.60
	57	23.25	23.25	1.67	22.40	22.40	1.87	21.49	21.49	2.09	20.55	20.55	2.33	19.52	19.52	2.60
900	72	27.76	14.53	1.72	26.38	14.07	1.91	25.12	13.65	2.13	23.86	13.23	2.38	22.46	12.77	2.64
	67	25.50	18.44	1.71	24.39	18.03	1.91	23.21	17.59	2.13	22.02	17.15	2.37	20.70	16.66	2.64
	62	23.92	23.92	1.71	23.03	23.03	1.91	22.08	22.08	2.13	21.10	21.10	2.37	20.02	20.02	2.64
	57	23.92	23.92	1.71	23.04	23.04	1.91	22.08	22.08	2.13	21.10	21.10	2.37	20.02	20.02	2.64

Total sensible capacities are based on net capacities. Blower heat has been subtracted.

Sensible capacities shown are based on 80° F (27° C) entering air at the indoor coil. For sensible capacities at other than 80° F (27° C), deduct 835 Btuh (245 kW) per 1000 CFM (480 L/S) of indoor coil air for each degree below 80° F (27° C), or add 835 Btuh (245 kW) per 1000 CFM (480 L/S) of indoor coil air per degree above 80° F (27° C).

Detailed cooling and heating capacities are based on indoor and outdoor unit at the same elevation per AHRI standard 210/240 -2008. If additional tubing length is required and/or indoor unit is located above outdoor unit, a slight variation in capacity may occur.

System kw is total of indoor and outdoor unit kilowatts.

**COOLING MULTIPLIERS FOR COMBINATION RATINGS:
WCA3424GKC**

Cooling Indoor Model	Capacity	Power
W*A*244AA*	1.00	1.00
W*A*244BA*	1.00	1.00
W*A*304AA*	1.00	0.99
W*A*304BA*	1.00	0.99
W*NC244AA*	1.00	1.00
W*NC244BA*	1.00	1.00
W*NC304AA*	1.00	0.99
W*NC304BA*	1.00	0.99
W*NH244BA*	1.00	1.00
W*NH304BA*	1.00	0.99
WAH*244A*	1.00	0.95
WAH*244B*	1.00	0.99
WAH*304A*	1.00	0.91
WAH*304B*	1.02	0.96
WAHA24**4A*	1.00	0.93
WAHA30**4A*	1.00	0.93
WAHA36**4A*	1.03	0.97
WAMA24*4A*	1.01	1.00
WAMA30*4A*	1.02	1.02
WAP*244A*	0.99	0.94
WAP*304A*	1.02	0.93
WAX*244A*	1.02	0.92
WAX*304A*	1.03	0.97
WAX*364A*	1.03	0.94

EXPANDED COOLING PERFORMANCE RATINGS For Outdoor / Indoor Models

For complete ratings information, use the AHRI website directory search: www.AHRIdirectory.org.
New ratings may be listed online before Specification Sheets are updated.

WCA3304GKA Outdoor Section With W*A*304AA* Indoor Section

EVAPORATOR AIR		CONDENSER ENTERING AIR TEMPERATURES deg F														
		75			85			95			105			115		
CFM	EWB	Capacity MBtuh		Total System KW	Capacity MBtuh		Total System KW	Capacity MBtuh		Total System KW	Capacity MBtuh		Total System KW	Capacity MBtuh		Total System KW
		Total	Sens		Total	Sens		Total	Sens		Total	Sens		Total	Sens	
875	72	31.88	16.54	1.97	30.55	16.06	2.21	29.17	15.57	2.48	27.73	15.07	2.77	26.14	14.51	3.10
	67	29.45	20.69	1.97	28.21	20.19	2.21	26.90	19.68	2.47	25.54	19.15	2.77	24.04	18.57	3.09
	62	27.29	24.80	1.96	26.15	24.27	2.20	24.96	23.68	2.47	23.83	23.83	2.76	22.65	22.65	3.09
	57	26.90	26.90	1.96	25.94	25.94	2.20	24.91	24.91	2.47	23.83	23.83	2.76	22.65	22.65	3.09
1000	72	32.25	17.34	2.02	30.87	16.86	2.26	29.45	16.36	2.53	27.98	15.86	2.82	26.34	15.30	3.14
	67	29.82	22.01	2.01	28.55	21.52	2.25	27.20	21.00	2.52	25.81	20.47	2.81	24.28	19.88	3.14
	62	27.85	27.62	2.01	26.81	26.81	2.25	25.72	25.72	2.51	24.59	24.59	2.81	23.35	23.35	3.14
	57	27.82	27.82	2.01	26.81	26.81	2.25	25.73	25.73	2.51	24.60	24.60	2.81	23.35	23.35	3.14
1125	72	32.50	18.10	2.07	31.08	17.61	2.31	29.63	17.12	2.57	28.13	16.61	2.87	26.46	16.05	3.19
	67	30.08	23.28	2.06	28.78	22.78	2.30	27.41	22.26	2.57	26.00	21.72	2.86	24.45	21.12	3.19
	62	28.55	28.55	2.06	27.50	27.50	2.30	26.36	26.36	2.56	25.19	25.19	2.86	23.89	23.89	3.18
	57	28.55	28.55	2.06	27.50	27.50	2.30	26.37	26.37	2.56	25.19	25.19	2.86	23.89	23.89	3.18

Total sensible capacities are based on net capacities. Blower heat has been subtracted.

Sensible capacities shown are based on 80° F (27° C) entering air at the indoor coil. For sensible capacities at other than 80° F (27° C), deduct 835 Btuh (245 kW) per 1000 CFM (480 L/S) of indoor coil air for each degree below 80° F (27° C), or add 835 Btuh (245 kW) per 1000 CFM (480 L/S) of indoor coil air per degree above 80° F (27° C).

Detailed cooling and heating capacities are based on indoor and outdoor unit at the same elevation per AHRI standard 210/240 -2008. If additional tubing length is required and/or indoor unit is located above outdoor unit, a slight variation in capacity may occur.

System kw is total of indoor and outdoor unit kilowatts.

COOLING MULTIPLIERS FOR COMBINATION RATINGS:

WCA3304GKA

Cooling Indoor Model	Capacity	Power
W*A*304AA*	1.00	1.00
W*A*304BA*	1.00	1.00
W*A*364AA*	1.00	1.00
W*A*364BA*	1.00	1.00
W*A*364CA*	1.00	1.00
W*NH304BA*	1.00	1.00
W*NH364BA*	1.00	1.00
W*NC304AA*	1.00	1.00
W*NC304BA*	1.00	1.00
W*NC364BA*	1.00	1.00
W*NC364CA*	1.00	1.00
WAP*304A*	1.01	0.95
WAP*364A*	1.01	0.95
WAP*424A*	1.04	1.00
WAHA30**4A*	1.00	0.94
WAHA36**4A*	1.00	0.94
WAH*304A*	1.00	0.94
WAH*364A*	1.00	0.98
WAX*304A*	1.01	0.95
WAX*364A*	1.02	0.92
WAX*424A*	1.02	1.00

EXPANDED COOLING PERFORMANCE RATINGS For Outdoor / Indoor Models

For complete ratings information, use the AHRI website directory search: www.AHRIdirectory.org.
New ratings may be listed online before Specification Sheets are updated.

WCA3364GKC Outdoor Section With W*A*484CA* Indoor Section

EVAPORATOR AIR		CONDENSER ENTERING AIR TEMPERATURES deg F														
		75			85			95			105			115		
CFM	EWB	Capacity MBtuh		Total System KW	Capacity MBtuh		Total System KW	Capacity MBtuh		Total System KW	Capacity MBtuh		Total System KW	Capacity MBtuh		Total System KW
		Total	Sens		Total	Sens		Total	Sens		Total	Sens		Total	Sens	
1050	72	29.86	29.86	3.98	38.13	19.65	2.76	36.46	19.06	3.10	34.71	18.45	3.47	32.77	17.79	3.87
	67	36.66	25.23	2.45	35.22	24.67	2.76	33.64	24.05	3.09	31.99	23.42	3.46	30.17	22.72	3.86
	62	33.97	30.22	2.45	32.65	29.62	2.75	31.21	28.94	3.08	29.76	29.76	3.45	28.35	28.35	3.86
	57	33.42	33.42	2.45	32.30	32.30	2.75	31.07	31.07	3.08	29.78	29.78	3.45	28.35	28.35	3.86
1200	72	40.35	21.22	2.52	38.49	20.57	2.82	36.81	19.99	3.16	35.01	19.38	3.52	33.02	18.70	3.92
	67	37.10	26.78	2.51	35.62	26.22	2.82	34.00	25.60	3.15	32.31	24.96	3.52	30.45	24.26	3.92
	62	34.75	32.12	2.51	33.33	33.33	2.81	32.07	32.07	3.14	30.71	30.71	3.51	29.20	29.20	3.92
	57	34.54	34.54	2.51	33.37	33.37	2.81	32.07	32.07	3.14	30.71	30.71	3.51	29.20	29.20	3.92
1350	72	40.70	22.12	2.58	38.75	21.45	2.88	37.03	20.86	3.21	35.19	20.25	3.58	33.17	19.57	3.98
	67	37.49	28.29	2.57	35.90	27.69	2.87	34.25	27.07	3.21	32.53	26.42	3.57	30.65	25.71	3.98
	62	35.43	35.43	2.57	34.21	34.21	2.87	32.85	32.85	3.20	31.43	31.43	3.57	29.86	29.86	3.98
	57	35.43	35.43	2.57	34.21	34.21	2.87	32.85	32.85	3.20	31.43	31.43	3.57	29.86	29.86	3.98

Total sensible capacities are based on net capacities. Blower heat has been subtracted.

Sensible capacities shown are based on 80° F (27° C) entering air at the indoor coil. For sensible capacities at other than 80° F (27° C), deduct 835 Btuh (245 kW) per 1000 CFM (480 L/S) of indoor coil air for each degree below 80° F (27° C), or add 835 Btuh (245 kW) per 1000 CFM (480 L/S) of indoor coil air per degree above 80° F (27° C).

Detailed cooling and heating capacities are based on indoor and outdoor unit at the same elevation per AHRI standard 210/240 -2008. If additional tubing length is required and/or indoor unit is located above outdoor unit, a slight variation in capacity may occur.

System kw is total of indoor and outdoor unit kilowatts.

**COOLING MULTIPLIERS FOR COMBINATION RATINGS:
WCA3364GKC**

Cooling Indoor Model	Capacity	Power
W*A*484CA*	1.00	1.00
W*A*484BA*	1.00	1.00
W*A*484DA*	1.00	1.00
W*NH484DA*	1.00	1.00
W*N(C,W)484CA*	1.00	1.00
W*NC484DA*	1.00	1.00
WAP*364A*	0.96	0.96
WAP*424A*	1.00	0.96
WAP*484A*	1.01	0.97
WAH*364A*	0.99	0.96
WAH*424A*	0.97	0.97
WAX*364A*	1.01	0.97
WAX*424A*	1.01	0.97
WAX*484A*	1.03	0.94

EXPANDED COOLING PERFORMANCE RATINGS For Outdoor / Indoor Models

For complete ratings information, use the AHRI website directory search: www.AHRIdirectory.org.
New ratings may be listed online before Specification Sheets are updated.

WCA3424GKA Outdoor Section With W*A*424CA* Indoor Section

EVAPORATOR AIR		CONDENSER ENTERING AIR TEMPERATURES deg F														
		75			85			95			105			115		
CFM	EWB	Capacity MBtuh		Total System KW	Capacity MBtuh		Total System KW	Capacity MBtuh		Total System KW	Capacity MBtuh		Total System KW	Capacity MBtuh		Total System KW
		Total	Sens		Total	Sens		Total	Sens		Total	Sens		Total	Sens	
1225	72	47.32	23.07	2.93	45.27	22.34	3.24	43.09	21.57	3.59	40.81	20.78	3.97	38.34	19.94	4.39
	67	43.40	28.38	2.91	41.49	27.64	3.22	39.48	26.86	3.57	37.36	26.05	3.96	35.09	25.19	4.38
	62	39.84	33.67	2.89	38.12	32.90	3.21	36.33	32.09	3.56	34.46	31.22	3.95	32.57	32.57	4.37
	57	38.78	38.78	2.89	37.38	37.38	3.21	35.89	35.89	3.56	34.30	34.30	3.94	32.59	32.59	4.37
1400	72	48.02	24.09	2.99	45.89	23.35	3.31	43.63	22.57	3.65	41.27	21.77	4.04	38.72	20.92	4.46
	67	44.07	30.05	2.98	42.09	29.29	3.29	40.00	28.50	3.64	37.82	27.69	4.02	35.48	26.83	4.45
	62	40.69	35.98	2.96	38.95	35.17	3.28	37.11	37.11	3.62	35.49	35.49	4.01	33.66	33.66	4.44
	57	40.27	40.27	2.96	38.77	38.77	3.28	37.18	37.18	3.62	35.49	35.49	4.01	33.66	33.66	4.44
1575	72	48.55	25.07	3.06	46.34	24.32	3.37	44.03	23.54	3.72	41.60	22.73	4.10	38.98	21.87	4.52
	67	44.59	31.67	3.04	42.55	30.91	3.36	40.41	30.12	3.70	38.18	29.30	4.09	35.78	28.42	4.51
	62	41.50	41.10	3.03	39.89	39.89	3.35	38.21	38.21	3.69	36.43	36.43	4.08	34.50	34.50	4.51
	57	41.48	41.48	3.03	39.89	39.89	3.35	38.21	38.21	3.69	36.43	36.43	4.08	34.50	34.50	4.51

Total sensible capacities are based on net capacities. Blower heat has been subtracted.

Sensible capacities shown are based on 80° F (27° C) entering air at the indoor coil. For sensible capacities at other than 80° F (27° C), deduct 835 Btuh (245 kW) per 1000 CFM (480 L/S) of indoor coil air for each degree below 80° F (27° C), or add 835 Btuh (245 kW) per 1000 CFM (480 L/S) of indoor coil air per degree above 80° F (27° C).

Detailed cooling and heating capacities are based on indoor and outdoor unit at the same elevation per AHRI standard 210/240 -2008. If additional tubing length is required and/or indoor unit is located above outdoor unit, a slight variation in capacity may occur.

System kw is total of indoor and outdoor unit kilowatts.

COOLING MULTIPLIERS FOR COMBINATION RATINGS:

WCA3424GKA

Cooling Indoor Model	Capacity	Power
W*A*424CA*	1.00	1.00
W*A*424DA*	1.00	1.00
W*A*484BA*	1.01	1.01
W*A*484CA*	1.01	1.01
W*A*484DA*	1.01	1.01
W*NH424CA*	1.00	1.00
W*NH484DA*	1.01	1.01
W*NC424BA*	0.99	0.99
W*NC424CA*	1.00	1.00
W*NC484CA*	1.01	1.01
W*NC484DA*	1.01	1.01
WAP*424A*	1.04	0.99
WAP*484A*	1.04	0.99
WAP*604A*	1.06	0.97
WAH*424A*	1.00	0.96
WAH*484A*	1.01	0.93
WAX*424A*	1.04	0.99
WAX*484A*	1.05	0.96
WAX*604A*	1.06	0.94

EXPANDED COOLING PERFORMANCE RATINGS For Outdoor / Indoor Models

For complete ratings information, use the AHRI website directory search: www.AHRIdirectory.org.
New ratings may be listed online before Specification Sheets are updated.

WCA3484GKC Outdoor Section With W*A*484CA* Indoor Section

EVAPORATOR AIR		CONDENSER ENTERING AIR TEMPERATURES deg F														
		75			85			95			105			115		
CFM	EWB	Capacity MBtuh		Total System KW	Capacity MBtuh		Total System KW	Capacity MBtuh		Total System KW	Capacity MBtuh		Total System KW	Capacity MBtuh		Total System KW
		Total	Sens		Total	Sens		Total	Sens		Total	Sens		Total	Sens	
1400	72	54.01	27.69	3.30	51.69	26.84	3.66	49.23	25.94	4.07	46.64	25.01	4.51	43.86	24.02	5.00
	67	49.29	34.09	3.29	47.12	33.21	3.66	44.84	32.30	4.06	42.43	31.34	4.51	39.86	30.34	5.00
	62	45.06	40.45	3.29	43.09	39.53	3.65	41.04	38.56	4.06	38.94	38.75	4.50	36.99	36.99	5.00
	57	44.01	44.01	3.29	42.41	42.41	3.65	40.72	40.72	4.06	38.92	38.92	4.50	37.00	37.00	5.00
1600	72	54.89	29.01	3.38	52.49	28.15	3.74	49.94	27.24	4.14	47.25	26.30	4.59	44.37	25.30	5.08
	67	50.13	36.22	3.37	47.88	35.33	3.73	45.50	34.40	4.14	43.01	33.44	4.58	40.37	32.43	5.07
	62	46.06	43.32	3.36	44.09	43.69	3.73	42.23	42.23	4.13	40.32	40.32	4.58	38.27	38.27	5.07
	57	45.73	45.73	3.36	44.03	44.03	3.73	42.23	42.23	4.13	40.32	40.32	4.58	38.27	38.27	5.07
1800	72	55.53	30.25	3.46	53.06	29.38	3.82	50.44	28.46	4.22	47.68	27.51	4.67	44.72	26.50	5.15
	67	50.74	38.24	3.45	48.42	37.35	3.81	45.99	36.41	4.21	43.44	35.44	4.66	40.73	34.40	5.15
	62	47.13	47.13	3.44	45.35	45.35	3.81	43.45	43.45	4.21	41.44	41.44	4.66	39.29	39.29	5.15
	57	47.15	47.15	3.44	45.35	45.35	3.81	43.46	43.46	4.21	41.45	41.45	4.66	39.29	39.29	5.15

Total sensible capacities are based on net capacities. Blower heat has been subtracted.

Sensible capacities shown are based on 80° F (27° C) entering air at the indoor coil. For sensible capacities at other than 80° F (27° C), deduct 835 Btuh (245 kW) per 1000 CFM (480 L/S) of indoor coil air for each degree below 80° F (27° C), or add 835 Btuh (245 kW) per 1000 CFM (480 L/S) of indoor coil air per degree above 80° F (27° C).

Detailed cooling and heating capacities are based on indoor and outdoor unit at the same elevation per AHRI standard 210/240 -2008. If additional tubing length is required and/or indoor unit is located above outdoor unit, a slight variation in capacity may occur.

System kw is total of indoor and outdoor unit kilowatts.

**COOLING MULTIPLIERS FOR COMBINATION RATINGS:
WCA34484GKC**

Cooling Indoor Model	Capacity	Power
W*A*484CA*	1.00	1.00
W*A*484BA*	1.00	1.00
W*A*604CA*	1.02	1.02
W*A*604DA*	1.02	1.02
W*NH604DA*	1.02	1.02
W*N(C,W)604DA*	1.02	1.02
WAP*484A*	0.99	0.99
WAP*604A*	1.01	0.97
WAH*484A*	1.02	0.98
WAH*604A*	1.03	0.99
WAX*484A*	1.02	0.98
WAX*604A*	1.04	0.96

EXPANDED COOLING PERFORMANCE RATINGS For Outdoor / Indoor Models

For complete ratings information, use the AHRI website directory search: www.AHRIdirectory.org.
New ratings may be listed online before Specification Sheets are updated.

WCA3604GKC Outdoor Section With W*A*604DA* Indoor Section

EVAPORATOR AIR		CONDENSER ENTERING AIR TEMPERATURES deg F														
		75			85			95			105			115		
CFM	EWB	Capacity MBtuh		Total System KW	Capacity MBtuh		Total System KW	Capacity MBtuh		Total System KW	Capacity MBtuh		Total System KW	Capacity MBtuh		Total System KW
		Total	Sens		Total	Sens		Total	Sens		Total	Sens		Total	Sens	
1750	72	67.21	34.03	4.17	64.33	32.99	4.62	61.25	31.88	5.13	57.99	30.72	5.69	54.51	29.50	6.30
	67	61.78	42.10	4.12	59.11	41.03	4.58	56.26	39.90	5.08	53.27	38.73	5.64	50.10	37.51	6.26
	62	56.85	50.10	4.08	54.44	49.01	4.54	51.89	47.82	5.04	49.28	46.54	5.60	46.74	46.74	6.23
	57	55.51	55.51	4.07	53.53	53.53	4.53	51.41	51.41	5.04	49.17	49.17	5.60	46.74	46.74	6.23
2000	72	68.22	35.65	4.27	65.20	34.58	4.73	62.01	33.46	5.23	58.62	32.28	5.79	55.02	31.05	6.40
	67	62.74	44.73	4.22	59.96	43.64	4.68	57.00	42.50	5.18	53.90	41.32	5.74	50.62	40.07	6.36
	62	58.02	53.65	4.18	55.58	52.46	4.64	53.19	53.19	5.15	50.79	50.79	5.71	48.19	48.19	6.33
	57	57.57	57.57	4.18	55.46	55.46	4.64	53.20	53.20	5.15	50.80	50.80	5.71	48.19	48.19	6.33
2250	72	68.93	37.17	4.37	65.81	36.09	4.83	62.53	34.96	5.33	59.04	33.77	5.89	55.34	32.51	6.50
	67	63.43	47.24	4.32	60.56	46.14	4.78	57.53	44.99	5.28	54.34	43.78	5.84	50.99	42.50	6.46
	62	59.25	59.25	4.29	57.01	57.01	4.75	54.62	54.62	5.25	52.11	52.11	5.82	49.36	49.36	6.44
	57	59.25	59.25	4.29	57.01	57.01	4.75	54.62	54.62	5.25	52.12	52.12	5.82	49.36	49.36	6.44

Total sensible capacities are based on net capacities. Blower heat has been subtracted.

Sensible capacities shown are based on 80° F (27° C) entering air at the indoor coil. For sensible capacities at other than 80° F (27° C), deduct 835 Btuh (245 kW) per 1000 CFM (480 L/S) of indoor coil air for each degree below 80° F (27° C), or add 835 Btuh (245 kW) per 1000 CFM (480 L/S) of indoor coil air per degree above 80° F (27° C).

Detailed cooling and heating capacities are based on indoor and outdoor unit at the same elevation per AHRI standard 210/240 -2008. If additional tubing length is required and/or indoor unit is located above outdoor unit, a slight variation in capacity may occur.

System kw is total of indoor and outdoor unit kilowatts.

COOLING MULTIPLIERS FOR COMBINATION RATINGS:

WCA34604GKC

Cooling Indoor Model	Capacity	Power
W*A*604DA*	1.00	1.00
W*A*604CA*	0.98	0.98
W*NH604DA*	1.00	1.00
W*N(C,W)604DA*	1.00	1.00
WAP*604A*	0.98	0.98
WAH*604A*	1.00	0.96
WAX*604A*	1.02	1.02

COOLING PERFORMANCE FOR COMBINATION RATINGS
Indoor Models

For complete ratings information, use the AHRI website directory search: www.AHRIdirectory.org.
New ratings may be listed online before Specification Sheets are updated.

Model	INDOOR MODEL	AHRI STANDARD RATINGS						EER
		CAPACITY	FACTORY ENHANCE	COOLING				
				SEER				
Standard	TDR	Piston	TXV					
WCA3184GKC	‡W*A*184AA*	17,200	TXV		13.00			10.90
	WAP*184A*	17,800	TDR			14.40		12.00
	WAP*244A*	17,800	TDR			14.30		11.90
	WAH*184B*	17,900	TDR&TXV	14.50				11.50
	WAH*244B*	17,900	TDR&TXV	14.50				11.50
	WAHA18**4A*	17,200	TDR&TXV	14.00				12.00
	WAHA24**4A*	17,200	TDR&TXV	14.50				12.20
	WAHA30**4A*	17,200	TDR&TXV	14.00				11.50
	WAHA36**4A*	17,200	TDR&TXV	14.00				11.50
	WAMA18*4A*	17,200	TDR			13.50		11.00
	WAMA24*4A*	17,200	TDR			13.00		11.00
	WAH*184A*	17,200	TDR&TXV	14.00				12.00
	WAH*244A*	17,200	TDR&TXV	14.50				12.00
	WAX*184A*	17,200	TDR&TXV	14.50				12.00
	WAX*244A*	17,200	TDR&TXV	14.50				12.00
	WAX*304A*	17,200	TDR&TXV	14.50				12.00
	W*A*244AA*	17,200	TXV		13.00			11.00
	W*A*244BA*	17,200	TXV		13.00			10.90
	W*NH244BA*	17,200	TXV		13.00			11.00
	W*NC184AA*	17,200	TXV		13.00			10.90
W*NC244AA*	17,200	TXV		13.00			10.90	
W*NC244BA*	17,200	TXV		13.00			11.00	

Model	INDOOR MODEL	AHRI STANDARD RATINGS						EER
		CAPACITY	FACTORY ENHANCE	COOLING				
				SEER				
Standard	TDR	Piston	TXV					
WCA3244GKC	‡W*A*244AA*	23,000	TXV		13.00			10.90
	WAP*244A*	22,800	TDR			13.50		11.50
	WAP*304A*	23,400	TDR			14.00		11.90
	WAH*244B*	23,000	TDR&TXV	13.70				11.00
	WAH*304B*	23,400	TDR&TXV	14.00				11.50
	WAHA24**4A*	23,000	TDR&TXV	14.00				11.70
	WAHA30**4A*	23,000	TDR&TXV	14.00				11.70
	WAHA36**4A*	23,600	TDR&TXV	14.00				11.50
	WAMA24*4A*	23,200	TDR			13.00		11.00
	WAMA30*4A*	23,400	TDR			13.00		10.90
	WAH*244A*	23,000	TDR&TXV	13.50				11.50
	WAH*304A*	23,000	TDR&TXV	14.00				12.00
	WAX*244A*	23,400	TDR&TXV	14.50				12.00
	WAX*304A*	23,600	TDR&TXV	14.00				11.50
	WAX*364A*	23,800	TDR&TXV	14.50				12.00
	W*A*244BA*	23,000	TXV		13.00			10.90
	W*A*304AA*	23,000	TXV		13.00			11.00
	W*A*304BA*	23,000	TXV		13.00			11.00
	W*NH244BA*	23,000	TXV		13.00			10.90
	W*NH304BA*	23,000	TXV		13.00			11.00
	W*NC244AA*	23,000	TXV		13.00			10.90
	W*NC244BA*	23,000	TXV		13.00			10.90
	W*NC304AA*	23,000	TXV		13.00			11.00
W*NC304BA*	23,000	TXV		13.00			11.00	

Model	INDOOR MODEL	AHRI STANDARD RATINGS						
		COOLING						
		CAPACITY	FACTORY ENHANCE	SEER				EER
Standard	TDR			Piston	TXV			
WCA3304GKA	‡W*A*304AA*	27,200	TXV		13.00			10.80
	WAP*304A*	27,400	TDR			13.50	14.00	11.50
	WAP*364A*	27,400	TDR			13.50	14.00	11.50
	WAP*424A*	28,200	TDR			13.50	13.50	11.20
	WAHA30**4A*	27,200	TDR&TXV	13.50				11.50
	WAHA36**4A*	27,200	TDR&TXV	13.50				11.50
	WAH*304A*	27,200	TDR&TXV	13.50				11.50
	WAH*364A*	27,200	TDR&TXV	13.50				11.00
	WAX*304A*	27,600	TDR&TXV	14.00				11.50
	WAX*364A*	27,800	TDR&TXV	14.50				12.00
	WAX*424A*	27,800	TDR&TXV	13.50				11.00
	W*A*304BA*	27,200	TXV		13.00			10.80
	W*A*364AA*	27,200	TXV		13.00			10.80
	W*A*364BA*	27,200	TXV		13.00			10.80
	W*A*364CA*	27,200	TXV		13.00			10.80
	W*NH304BA*	27,200	TXV		13.00			10.80
	W*NH364BA*	27,200	TXV		13.00			10.80
	W*NC304AA*	27,200	TXV		13.00			10.80
	W*NC304BA*	27,200	TXV		13.00			10.80
	W*NC364BA*	27,200	TXV		13.00			10.80
W*NC364CA*	27,200	TXV		13.00			10.80	

Model	INDOOR MODEL	AHRI STANDARD RATINGS						
		COOLING						
		CAPACITY	FACTORY ENHANCE	SEER			EER	
Standard	TDR			TXV				
WCA3364GKC	‡W*A*484CA*	34,000	TXV		13.00			11.00
	WAP*364A*	32,600	TDR			13.20		11.00
	WAP*424A*	34,000	TDR			14.00		11.50
	WAP*484A*	34,400	TDR			14.00		11.50
	WAH*364A*	33,600	TDR&TXV	13.70				11.30
	WAH*424A*	33,000	TDR&TXV	13.00				11.00
	WAX*364A*	34,400	TDR&TXV	14.00				11.50
	WAX*424A*	34,400	TDR&TXV	14.00				11.50
	WAX*484A*	35,000	TDR&TXV	14.50				12.00
	W*A*484BA*	34,000	TXV		13.00			11.00
	W*A*484DA*	34,000	TXV		13.00			11.00
	W*NH484DA*	34,000	TXV		13.00			11.00
	W*N(C,W)484CA*	34,000	TXV		13.00			11.00
	W*NC484DA*	34,000	TXV		13.00			11.00

Model	INDOOR MODEL	AHRI STANDARD RATINGS						
		COOLING						
		CAPACITY	FACTORY ENHANCE	SEER				EER
Standard	TDR			Piston	TXV			
WCA3424GKA	‡W*A*424CA*	39,500	TXV		13.00			11.00
	WAP*424A*	41,000	TDR			13.50	14.00	11.50
	WAP*484A*	41,000	TDR			13.50	14.00	11.50
	WAP*604A*	42,000	TDR&TXV	14.00				12.00
	WAH*424A*	39,500	TDR&TXV	13.50				11.50
	WAH*484A*	40,000	TDR&TXV	14.00				12.00
	WAX*424A*	41,000	TDR&TXV	14.00				11.50
	WAX*484A*	41,500	TDR&TXV	14.50				12.00
	WAX*604A*	42,000	TDR&TXV	14.50				12.50
	W*A*424DA*	39,500	TXV		13.00			11.00
	W*A*484BA*	40,000	TXV		13.00			11.00
	W*A*484CA*	40,000	TXV		13.00			11.00
	W*A*484DA*	40,000	TXV		13.00			11.00
	W*NH424CA*	39,500	TXV		13.00			11.00
	W*NH484DA*	40,000	TXV		13.00			11.00
	W*NC424BA*	39,000	TXV		13.00			11.00
	W*NC424CA*	39,500	TXV		13.00			11.00
	W*NC484CA*	40,000	TXV		13.00			11.00
W*NC484DA*	40,000	TXV		13.00			11.00	

Model	INDOOR MODEL	AHRI STANDARD RATINGS						
		COOLING						
		CAPACITY	FACTORY ENHANCE	SEER			EER	
Standard	TDR			TXV				
WCA3484GKC	‡W*A*484CA*	45,500	TXV		13.00			11.00
	WAP*484A*	45,000	TDR			13.50		11.00
	WAP*604A*	46,000	TDR&TXV	13.70				11.50
	WAH*484A*	46,500	TDR&TXV	13.70				11.50
	WAH*604A*	47,000	TDR&TXV	14.00				11.50
	WAX*484A*	46,500	TDR&TXV	14.00				11.50
	WAX*604A*	47,500	TDR&TXV	14.00				12.00
	W*A*484BA*	45,500	TXV		13.00			11.00
	W*A*604CA*	46,500	TXV		13.00			11.00
	W*A*604DA*	46,500	TXV		13.00			11.00
	W*NH604DA*	46,500	TXV		13.00			11.00
	W*N(C,W)604DA*	46,500	TXV		13.00			11.00

Model	INDOOR MODEL	AHRI STANDARD RATINGS						
		COOLING						
		CAPACITY	FACTORY ENHANCE	SEER		EER		
Standard	TDR							
WCA3604GKC	‡W*A*604DA*	57,000	TXV		13.00		11.00	
	WAP*604A*	56,000	TDR&TXV	13.50			11.00	
	WAH*604A*	57,000	TDR&TXV	13.50			11.50	
	WAX*604A*	58,000	TDR&TXV	13.50			11.00	
	W*A*604CA*	56,000	TXV		13.00		11.00	
	W*NH604DA*	57,000	TXV		13.00		11.00	
	W*N(C,W)604DA*	57,000	TXV		13.00		11.00	

‡Tested Combination

EER – Energy Efficiency Ratio

SEER – Seasonal Energy Efficiency Ratio

TDR - Time delay Relay

TXV – Thermostatic Expansion Valve

Ratings are net values reflecting the effects of circulating fan motor heat. Supplemental electric heat is not included.

Tested outdoor/indoor combinations have been tested in accordance with DOE test procedures for central air conditioners. Ratings for other combinations are determined under DOE computer simulation procedures.

Determine actual CFM values obtainable for your system by referring to fan performance data in fan coil or furnace literature.

ACCESSORY USAGE GUIDELINES

Accessory	REQUIRED FOR LOW-AMBIENT APPLICATIONS {Below 55°F (13°C)}	REQUIRED FOR LONG-LINE APPLICATIONS* {Over 80 Ft.(24.4m)}
Crankcase Heater	Yes	Yes
Evaporator Freeze Thermostat	Yes	No
Winter Start Control	Yes **	No
Hard Start Kit (Capacitor & Relay)	Yes	Yes
Low Ambient Kit (Pressure Switch)	Yes	No
Support Feet, 4" (102mm) tall	Recommended	No
Liquid Line Solenoid Valve	No	See Long-Line Application Guideline

* Refer to the Long Line Application Guideline document.

** Can only be installed in conjunction with Low Pressure Switch.

ACCESSORIES

Part Number	Description	Used On Model Size
NASA003CH	Crankcase Heater for Compressor	18, 24, 30
NASA001CH	Crankcase Heater for Compressor	36, 42, 48, 60
NASA001SC	Start Component – PTC Device	ALL
NASA001FS	Evaporator Freeze Thermostat	ALL
NASA403PS	Low Pressure Switch	ALL
NASA404PS	High Pressure Switch	ALL
NASA001LS	Liquid Line Solenoid Valve	ALL
NASA001TD	Time Delay Relay, Indoor Blower	ALL
NASA00201WS	Winter Start Control	ALL
NASA001AC	Anti-Cycle Timer (5 minute delay)	ALL
NASA401LA	Low Ambient Kit (Pressure Switch)	ALL
NASA001SF	Support Feet, 4" (102mm) tall	ALL
NASA003SC	Hard Start Kit (Capacitor & Relay)	ALL
NASA001SJ	Sound Jacket, Compressor	18, 24, 30, 36, 42, 48
NASA003SJ	Sound Jacket, Compressor	60
NAEA40501TX	TXV Kit, R-410A – 2010 and later Piston Coils	18, 24, 30
NAEA40601TX	TXV Kit, R-410A – 2010 and later Piston Coils	36, 42
NAEA40701TX	TXV Kit, R-410A – 2010 and later Piston Coils	48, 60
EBAC05TXVX	TXV Kit, R-410A – 2005-2009 R-22 TXV Fancoils (air handlers)	18, 24, 30
EBAC06TXVX	TXV Kit, R-410A – 2005-2009 R-22 TXV Fancoils (air handlers)	36, 42
EBAC07TXVX	TXV Kit, R-410A – 2005-2009 R-22 TXV Fancoils (air handlers)	48, 60