



Submittal Data Sheet

Project Name:		Approval:	
Location:		Date:	
Engineer:		Construction:	
Submitted to:		Unit #:	
Submitted by:		Drawing #:	
Reference:			

Code	2T0032800600
Factory model	US1-KFR51GW/BP3N1Y-11M1(U0)-W
Indoor code	220032805730
Indoor unit factory model	US1-KFR51G/BP3N1Y-11M1(U0)-W
Outdoor code	220037804380
Outdoor unit factory model	US1-KFR51W/BP3N1-210(U0)-W
Model	MEHU-18AVH2
Indoor	MEHU-18AVH2
Outdoor	MCHU-18AVH2



PERFORMANCE DATA

Power supply	Ph-V-Hz	208-230V~ 60Hz, 1Ph
--------------	---------	---------------------

Cooling

Capacity	Btu/h	17500
Input	W	1400
Rated current	A	6.086956522
EER	Btu/w	12.5
SEER	Btu/w	21

Heating

Capacity	Btu/h	18000
Input	W	1440
Rated current	A	6.260869565
COP	W/W	3.7
HSPF4		9.5
HSPF5		/
Low temperature heating capacity (2°C)	Btu/h	/
Low temperature heating capacity (-7°C)	Btu/h	/
MINIMUM CIRCUIT AMPACITY	A	13.0
MAX.FUSE	A	20.0
Moisture Removal	L/h	1.7

Compressor Electrical

Model		DA130M1C-31FZ
Type		ROTARY
Brand		GMCC
Capacity	Btu/h	13443
Input	W	1005
Rated current(RLA)	A	3.95
Locked rotor Amp(LRA)	A	----
Thermal protector		----
Thermal protector position		INTERNAL
Refrigerant oil/oil charge	ml	ESTER OIL VG74/480
Connection wiring		16AWG*4
Plug type		/

INDOOR UNIT DATA

Indoor fan motor		
Model		WZDK58-38G
Brand		Shibaura
Input		58(Output)
RLA	A	0.13
LRA	A	/
Winding Resistance	Ω	/
Capacitor	uF	--
Speed(Hi/Mi/Lo)	r/min	1150 / 900 / 700
Air flow & Noise level		
Indoor air flow (Hi/Mi/Lo)	CFM	710/560/440
Indoor noise level (Hi/Mi/Lo)	dB(A)	47/40/31

Indoor unit

Dimension(W*D*H)	inch	38.98x8.58x12.40
Packing (W*D*H)	inch	41.93x11.81x15.75
Net/Gross weight	lbs.	26.46/30.86

OUTDOOR UNIT DATA

Outdoor fan motor		
Model		WZDK50-38G
Brand		Shibaura
Input		50(Output)
RLA	A	0.3
LRA	A	/
Winding Resistance	Ω	/
Capacitor	uF	--
Speed	r/min	800
Air flow & Noise level		
Outdoor air flow	CFM	1470
Outdoor noise level	dB(A)	60

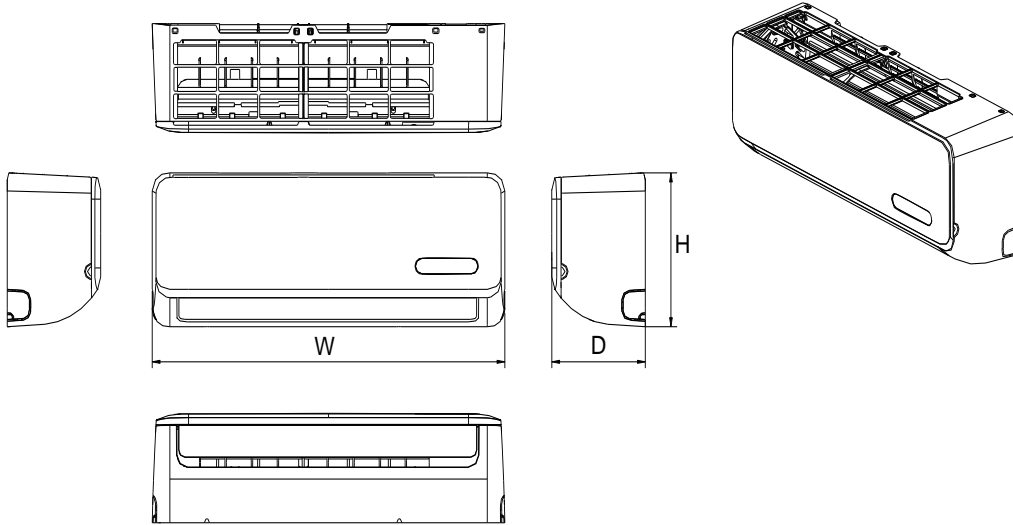
Outdoor unit

Dimension(W*D*H)	inch	33.27x12.60x27.56
Packing (W*D*H)	inch	37.99x15.55x29.72

Thermostat type		Remote Control
SYSTEM DATA		
Design pressure	MPa	550/340 PSIG
Refrigerant type	oz	R410A/67.0
Refrigerant precharge	ft	25
Additional charge per ft.	oz	0.161
Liquid side/ Gas side	mm(in)	Φ6.35/Φ12.7(1/4"/1/2")
Max. refrigerant pipe length	ft	98
Max. difference in level	ft.	66
Application area	sq.ft	276-460

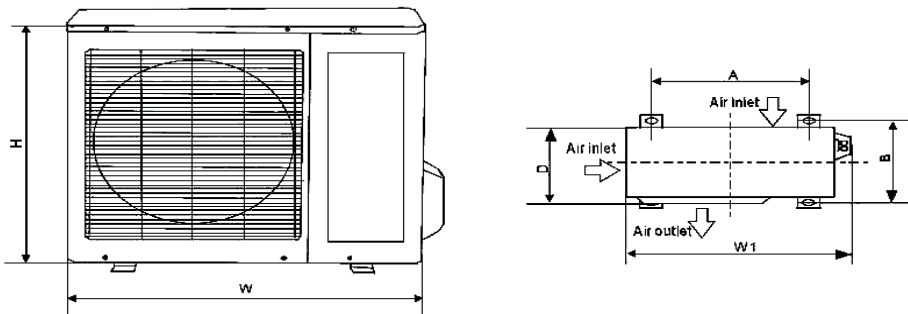
Net/Gross weight	lbs.	102.51/111.33
Operation temperature		
Indoor(cooling/ heating)	Deg. F	62~90/32~86
Outdoor(cooling/heating)	Deg. F	5~122/5~86
Outdoor(cooling/heating)-optional	Deg. F	/

INDOOR UNIT



Model	W (inch)	H (inch)	D (inch)
MEHU-18AVH2	38.98	8.58	12.40

OUTDOOR UNIT



Model	W (inch)	H (inch)	D (inch)	W1 (inch)	A (inch)	B (inch)
MCHU-18AVH2	33.27	12.60	27.56	35.75	22.05	13.19