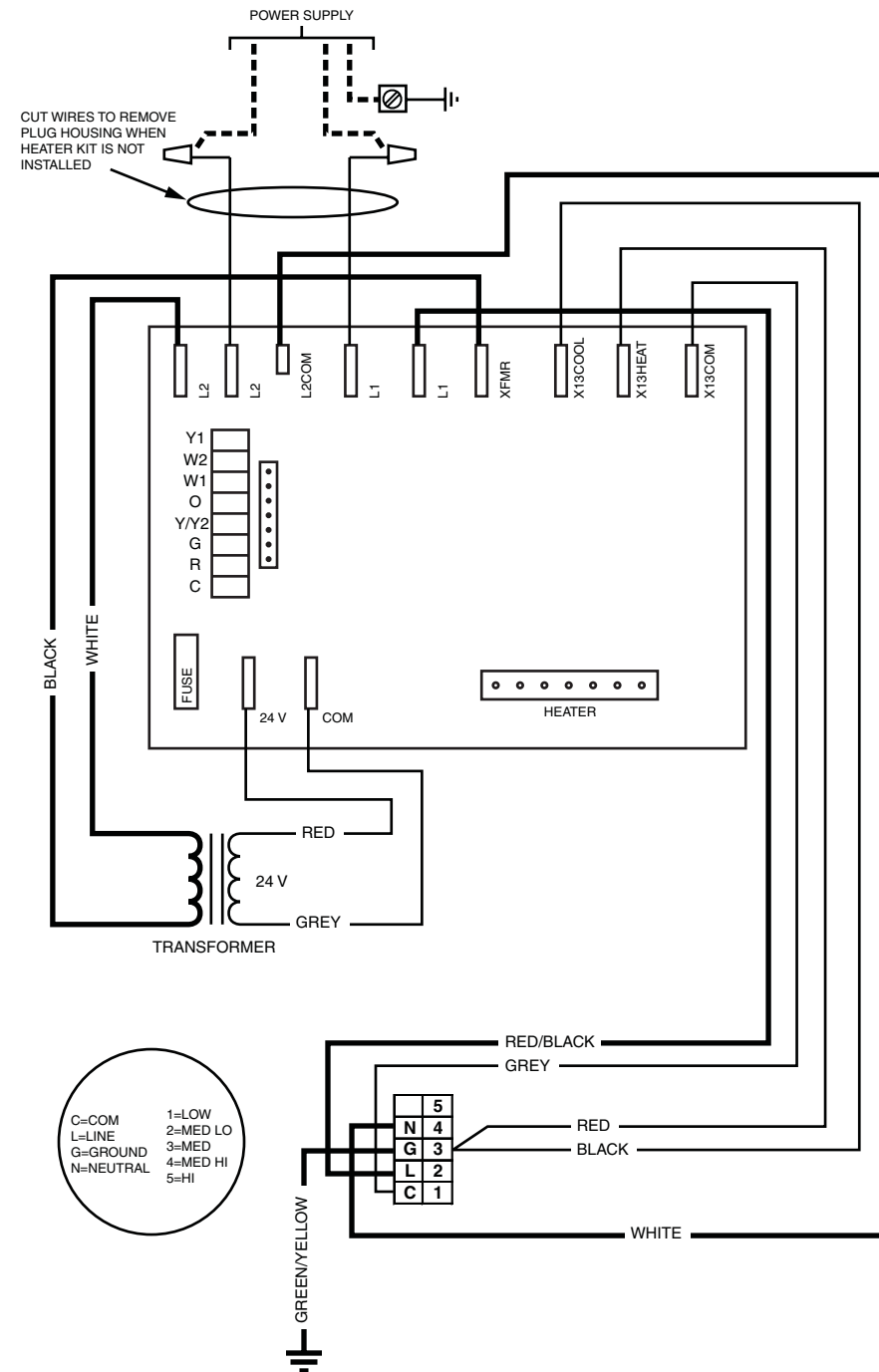


WIRING DIAGRAM

Air Handler X13 MOTOR



- NOTES:
1. The blower motor speed tap connection may not be as shown. See the Installation Instructions.
 2. Disconnect all power before servicing.
 3. Transformer may have a dual voltage primary tap. Match the tap position with the supply voltage used. If the internal wiring is replaced, use only 105°C copper wire of the same gauge.

BLOWER MOTOR PLUG		5
N = NEUTRAL	N	4
G = GROUND	G	3
L = LINE	L	2
C = COMMON	C	1

SPEED TAPS

5 = HI
4 = MED HI
3 = MED
2 = MED LOW
1 = LOW

LEGEND:

FIELD WIRING - - - -

LOW VOLTAGE ————

HIGH VOLTAGE ————



710545B
(Replaces 710545A)